

Preparation

**Part Number: PT747-47121**

**NOTE:** Part number of this accessory may not be the same as the part number shown.

**Kit Contents**

Item #	Quantity Reqd.	Description
1	1	Applique, RR Bumper
2	1	Installation Instructions

**Hardware Bag Contents**

Item #	Quantity Reqd.	Description
1		

**Additional Items Required For Installation**

Item #	Quantity Reqd.	Description
1		

**Conflicts**

--

**Recommended Tools**

<b>Personal &amp; Vehicle Protection</b>	<b>Notes</b>
None	
<b>Special Tools</b>	<b>Notes</b>
Squeegee	4" (3M™Gold)
Low Friction Sleeve	3M SA-1
Surface Thermometer	Infrared Non-contact
Heat Gun	Master Heat Gun HG-301A or equivalent
<b>Installation Tools</b>	<b>Notes</b>
Lint Free Rags	
Spray Bottle	For wetting agent
<b>Special Chemicals</b>	<b>Notes</b>
Cleaner	VDC approved cleaner and cleaning method
Wetting Agent Note: Solution depends upon ambient temperature of the part and the vehicle surface. If it is difficult to remove bubbles with a squeegee, add one more ml. of shampoo.	Johnson's Baby Shampoo mixed in one liter of water: At 65°F add 2 ml. shampoo At 70°F add 3 ml. shampoo At 80°F add 3.5 ml shampoo At 90°F add 4 ml. shampoo At 100°F add 5 ml. shampoo

**General Applicability**

--

**Recommended Sequence of Application**






Item #	Accessory
1	

\*Mandatory

**Vehicle Service Parts** (may be required for reassembly)

Item #	Quantity Reqd.	Description
1		

**Legend**

	<b>STOP:</b> Damage to the vehicle may occur. Do not proceed until process has been complied with.
	<b>OPERATOR SAFETY:</b> Use caution to avoid risk of injury.
	<b>CAUTION:</b> A process that must be carefully observed in order to reduce the risk of damage to the accessory/vehicle and to ensure a quality installation.
	<b>TOOLS &amp; EQUIPMENT:</b> Used in Figures calls out the specific tools and equipment recommended for this process.
	<b>REVISION MARK:</b> This mark highlights a change in installation with respect to previous issue.

**Procedure**

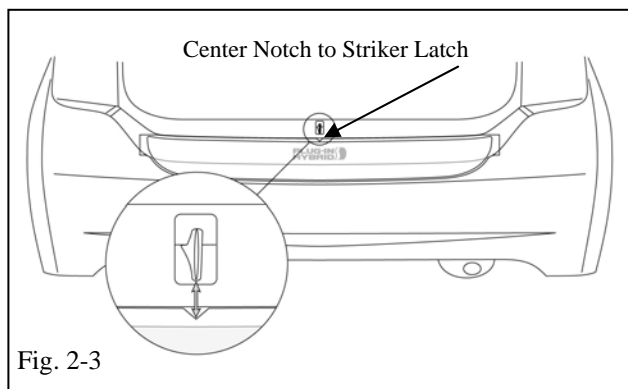
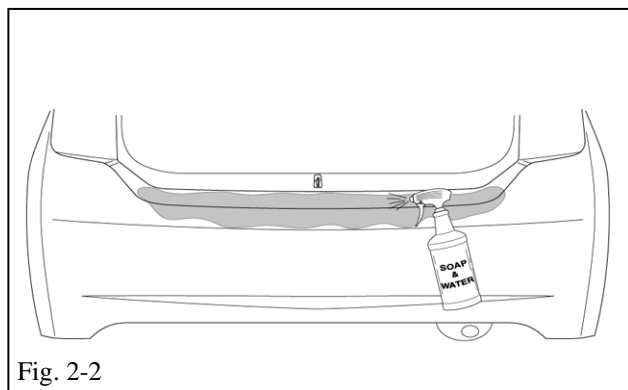
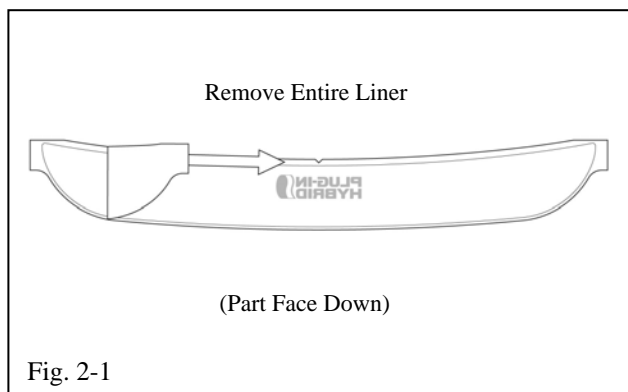
Care must be taken when installing this accessory to ensure damage does not occur to the vehicle. The installation of this accessory should follow approved guidelines to ensure a quality installation.

These guidelines can be found in the "Accessory Installation Practices" document.

This document covers such items as:-

- Vehicle Protection (use of covers and blankets, cleaning chemicals, etc.).
- Safety (eye protection, rechecking torque procedure, etc.).
- Vehicle Disassembly/Reassembly (panel removal, part storage, etc.).
- Electrical Component Disassembly/Reassembly (battery disconnection, connector removal, etc.).

Please see your Toyota dealer for a copy of this document.

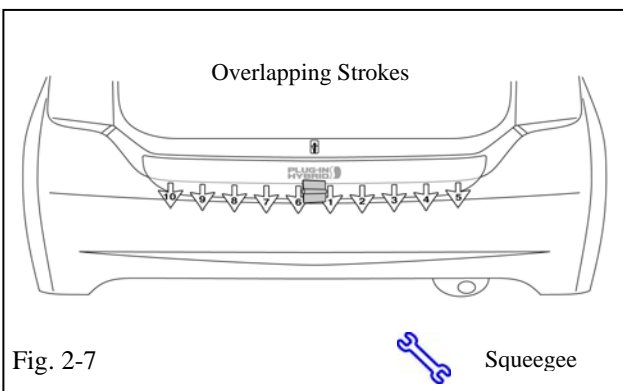
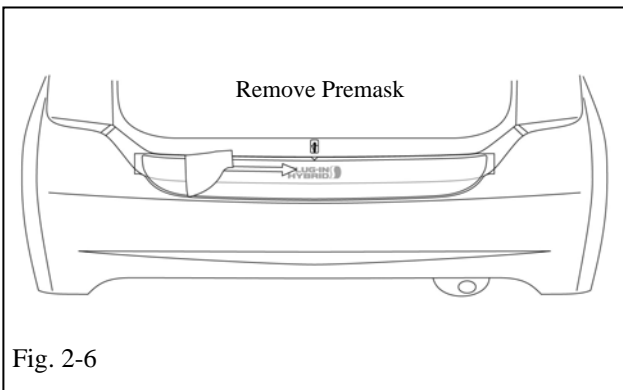
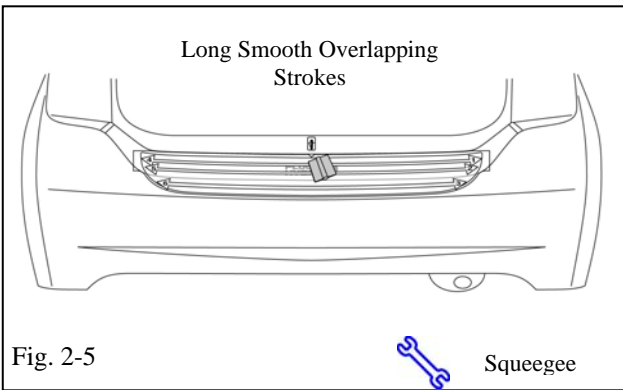
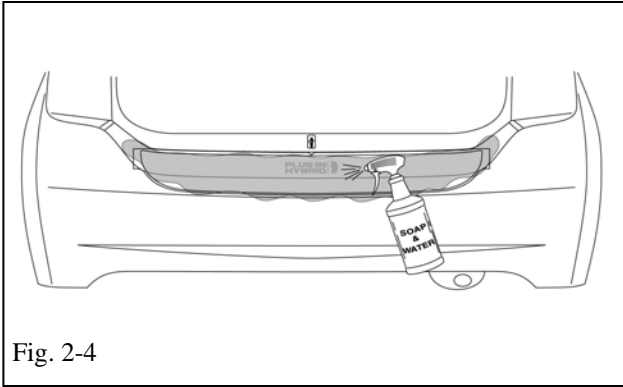


**1. Vehicle preparation.**

- (a) Part and vehicle surface temperature must be maintained between 65°F and 90°F for optimum installation. Store parts flat at room temperature in a clean dry place.
- (b) Clean the entire application surface to remove grease and wax. Clean the entire area with a VDC approved cleaner and cleaning method.
- (c) Wipe the cleaned surface with a clean, dry, lint-free cloth.

**2. Installation of the Rear Bumper Protector.**

- (a) Place part face down on clean flat surface. Remove entire liner. (Fig. 2-1).
- (b) Spray bumper with wetting agent. (Fig. 2-2).
- (c) Align the center notch directly below the striker latch opening and the leading edge of the premask along the ridge of the bumper being sure not to roll over the ridge. Do not smooth part with hands. (Fig. 2-3).




- (d) Spray premask with wetting agent. (Fig. 2-4).
- (e) Using long smooth overlapping strokes squeegee from the center outwards of the horizontal section and begin to wrap over bumper. (Fig. 2-5).
  - (1) Do not use excessive force as it may cause creasing of the protector.
- (f) Carefully remove premask paper 180° against itself prior to squeegeeing final wrap area. (Fig. 2-6).
- (g) Using sharp squeegee with protective sleeve, make smooth overlapping downward strokes from the center outwards of the final wrap area or the vertical section. (Fig. 2-7).
- (h) Dry off vehicle with clean lint free rag.

Checklist - these points **MUST** be checked to ensure a quality installation.

Check:

Accessory Function Checks

- Proper adhesion – Visual
-   Proper adhesion – Physical
  
- Proper alignment – Cross-Car

Look For:

Look for bubbles, loose and lifting edges.

With light pressure rub hand over top of part and if crackling sound occurs, resqueegee. If bubbles cannot be worked out to the nearest edge, replace part.

Part must be centered within bumper

+/-3 mm.